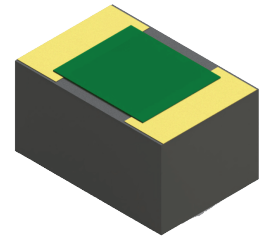


RS0805ZZ-XXXXWN-2T Features:

- Single-Sided (Flip-Chip) Terminal Configuration
- Solder, Epoxy or Wirebondable Terminals
- Customer Defined Testing Available
- RoHS Compliant or SnPb Available
- Non-Magnetic Available
- Tape & Reel (Film Side Down) and Waffle Pack Available (Standard is bulk)



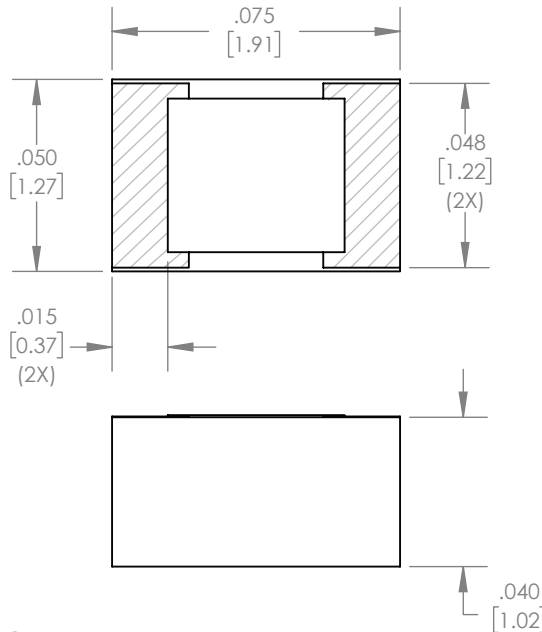
■ Actual Size

RS0805ZZ-XXXXWN-2T Parameters:

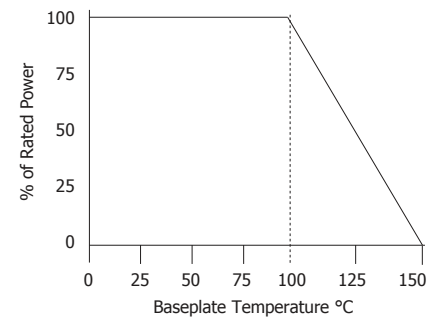
Resistance Range: 10Ω - 1KΩ
 Rated Power:* 1W
 Construction: Thick Film on 0.040" AIN
 Operating Temperature: -55 to +150°C

* Rating based on ≤100°C constant baseplate temperature

RS0805ZZ-XXXXWN-2T Dimensions:



RS0805ZZ-XXXXWN-2T Power Derating Curve



Dimensions in inches [mm]
 Tolerance is ± 0.005 [0.13]
 unless otherwise stated

Ordering Information:

RS 0805 ZZ - XXXX W N - 2T UU

Prefix for Resistor w/
Single-Sided Terminals

Size
0805

Value Code
50R0 - 50Ω
1000 - 100Ω
1001 - 1KΩ

Tolerance
F - 1%
G - 2%
J - 5%

Normal Inspection
Contact factory for additional options

Substrate
2T - 0.040" AIN

Packaging
Blank - Bulk
WP - Waffle Pack
TRD - Tape & Reel

Terminal Metallization

CB - Tin Lead over Nickel over Silver
 CC - 100% Matte Tin over Copper over Silver
 CT - 100% Matte Tin over Nickel over Silver
 GA - Gold

	RoHS	Magnetic	Solder	Epoxy	Wirebond
CB	No	Yes	Yes	No	No
CC	Yes	No	Yes	No	No
CT	Yes	Yes	Yes	No	No
GA	Yes	No	No	Yes	Yes

Example Part Number: RS0805CT-50R0JN-2T

Barry Industries reserves the right to change part number and/or process without notification.

RS0805ZZ-XXXXWN-2T Reliability Specifications:

Parameter:	Test Condition:	Results:
Short Time Overload	Apply 1.1x Rated Power for 5 Seconds.	≤ 5.0% Resistance Shift
Rated Load Life	Apply 1/2 Power Under 40°C ±2°C 90 Minutes on/ 30 Minutes off. Repeat for 100 hours	≤ 5.0% Resistance Shift
Moisture Resistance	MIL-PRF-55342 para 4.8.9 95% RH, 25°C - 65°C	≤ 5.0% Resistance Shift
Resistance to Soldering Heat	MIL-STD-202 Method 210 and MIL-PRF-55342 Para 4.8.8.1	≤ 5.0% Resistance Shift
Resistance to Bonding Exposure	MIL-PRF-55342 Para 4.8.8.2	≤ 5.0% Resistance Shift
Solderability	MIL-PRF-55342 Para 4.8.12	>95% Covered
High Temperature Storage	125°C ±2°C for 500 Hours	1.) ≤ 5.0% Resistance Shift 2.) No Significant Abnormality (Visual)
Thermal Shock	-65 to +125 30 Minutes Dwell, 5 Cycles	1.) ≤ 5.0% Resistance Shift 2.) No Significant Abnormality (Visual)

Barry Industries reserves the right to change part number and/or process without notification.